

### Fan Components and Material Properties

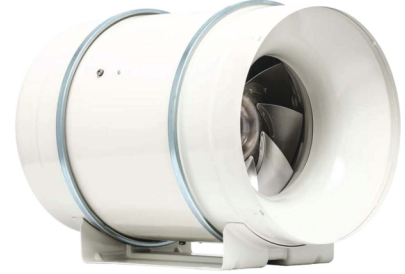
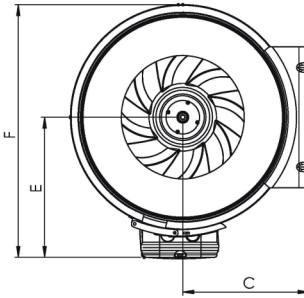
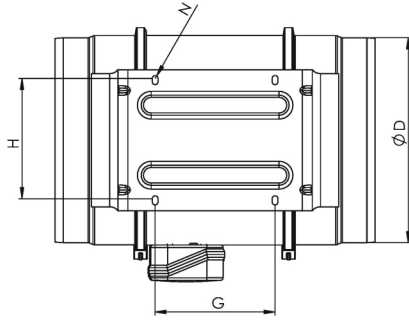
Duct type mixed flow fans, ST extension models are standard. Body and fan made of plastic. (ARS-KTF-2) 250 and 315 models are also available with electrostatic painted sheet version. Thanks to the body design, it is possible to disassemble and install the fan and motor without being disassembled.

### Fan Structure

Mixed flow fans consist of a combination of working principles of axial and casing centrifugal fans. These fans draw air in and out more linearly. This makes the system more efficient and reduces motor power.

### Technical Drawing and Tables

TYPE	A	B	C	D	E	G	H	N
ARS-KTF-2-100	303	188	115	97	100	80	60	5,5
ARS-KTF-2-125	258	188	115	123	100	80	60	5,5
ARS-KTF-2-150	320	212	127	147	112	80	60	5,5
ARS-KTF-2-200	302	232,5	141	197	124	100	94	5,5
ARS-KTF-2-250	386	291	192	248	155	145	140	7x7
ARS-KTF-2-315	450	356	224	312	188	182	178	7x7
ARS-KTF-2-250-P	383	286	173	247	151	150	173	7x7
ARS-KTF-2-315-P	446	357	216	312	187	181	216	7x7



TYPE	VOLTAGE	FREQUENCY	POWER	CURRENT	CAPACITOR	SPEED	AIR FLOW	SOUND PRESSURE	INSULATION CLASS	PROTECTION CLASS	WEIGHT	SPEED
	V	Hz	W	(A)	( $\mu$ F)	r.p.m.	m <sup>3</sup> /h	dB(A)	iz. Kl.	IP	Kg	
ARS-KTF-2 100/2V	230	50/60	20 18	0,11 0,10	1	2200 1850	198 165	31 26	B	44	1,8	H L
ARS-KTF-2 125/2V	230	50/60	27 23	0,14 0,12	1	2250 1950	284 248	31 26	B	44	2	H L
ARS-KTF-2 150/2V	230	50/60	44 35	0,22 0,19	1,2	2550 1950	530 410	33 29	B	44	2,7	H L
ARS-KTF-2 200/2V	230	50/60	100 90	0,52 0,48	3	2350 2050	840 690	36 32	B	44	4,8	H L
ARS-KTF-2 250/2V	230	50/60	140 110	0,7 0,6	5	2500 2050	1100 990	40 37	F	44	9,4	H L
ARS-KTF-2 315/2V	230	50/60	190 145	1,1 0,74	10	2680 2150	2000 1500	45 40	F	44	14	H L
ARS-KTF-2 250-P/2V	230	50/60	225 165	1,2 0,75	8	2450 1850	1405 1064	38 34	B	44	7,5	H L
ARS-KTF-2 315-P/2V	230	50/60	390 275	1,9 1,4	16	2350 1650	2206 1750	42 38	B	44	11	H L
ARS-KTF-2 100/2V	230	50/60	35 20	0,26 0,15	1	2600 2100	177 133	25 23	B	44	3	H L
ARS-KTF-2 125/2V	230	50/60	35 20	0,28 0,17	1	2600 2100	218 181	31 26	B	44	3,5	H L

Sound Level Measured from 3m distance in room condition.