

### Fan Components and Material Properties

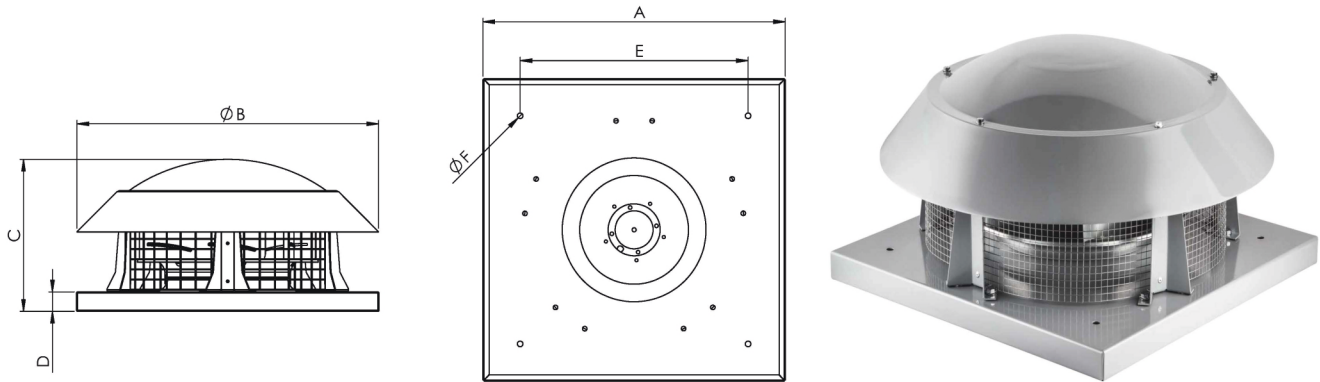
The mounting plate and fan cap of the ARS-CTF series horizontal discharge centrifugal fans are made of electrostatic powder coated sheet metal. The fan wheels of the models ARS-CTF 160-400 are made of high quality galvanized sheet steel which is resistant to corrosion. The fan wheels of the ARS-CTF 450-500-560 models are made of aluminum sheet. All models have an external rotor motor with closed structure. The device is capable of handling air at max. 40°C.

### Fan Structure

The fan blades are aerodynamically curved and provide regular flow. The fans are composed of backward sloping and infrequently arranged fins.

### Technical Drawing and Tables

TYPE	A	B	C	D	E	F
ARS-CTF 160	252	260	140	25	210	6
ARS-CTF 180	252	260	140	25	210	6
ARS-CTF 225	336	386	212	35	274	11
ARS-CTF 250	370	386	225	35	290	11
ARS-CTF 315	454	443	293	40	333	11
ARS-CTF 355	595	595	285	40	450	11
ARS-CTF 400	595	685	355	40	450	12
ARS-CTF 450	664	685	400	40	450	12
ARS-CTF 500	798	824	385	40	600	12
ARS-CTF 560	798	824	400	40	600	12



TYPE	VOLTAGE	FREQUENCY	POWER	CURRENT	CAPACITOR	SPEED	AIR FLOW	SOUND PRESSURE	INSULATION CLASS	PROTECTION CLASS	WEIGHT
	V	Hz	W	(A)	(µF)	D/dak	m³/h	dB(A)	iz. Kl.	IP	Kg
ARS-CTF 160	230	50/60	60	0,3	2	2600/3000	346/400	44-36	B	44	3,5
ARS-CTF 180	230	50/60	70/90	0,35/0,43	2,5	2500/2750	460/500	49-41	B	44	3,7
ARS-CTF 225	230	50/60	80/100	0,40/0,50	3	2750/3100	902/1020	50-42	B	44	7
ARS-CTF 250	230	50/60	125/175	0,61/0,91	6	2800/3180	1212/1375	52-44	B	44	8
ARS-CTF 315	230	50/60	130/150	0,8	6	1450/1740	2000/2400	47-39	F	44	12,8
ARS-CTF 355	230	50/60	200/245	1,05	6	1400/1680	2900/3500	46-38	F	44	18
ARS-CTF 400	230	50/60	310/460	1,56/2,27	10	1380/1560	4100/4600	51-43	F	44	22
ARS-CTF 450	230	50/60	430/655	2,2/3,2	10	1370/1525	5400/6000	52-44	F	44	28
ARS-CTF 500	380 Δ/ Y	50	840/580	1,95/1,12	-	1360/1100	7600/6150	54-46	F	44	45,5
ARS-CTF 560	380 Δ/ Y	50	1440/840	2,8/1,6	-	1300/950	9800/7150	66-58	F	44	48

The sound level is measured at a distance of 4-10 m in open field condition.