

Axial roof fans are used in pressurization fan, fresh air fan and smoke exhaust fan applications. The enclosure is fire resistant and designed according to the noise standard. Smoke evacuation fans are fire resistant.

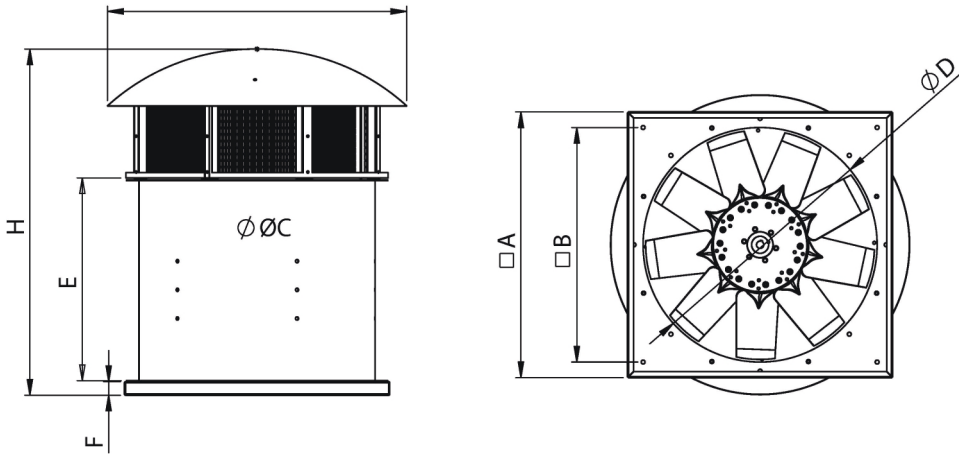
General Features

- It has EN 12101-3 and Ce certificates.
- 2 hours continuous operation at 400 C and 300 C
- There is a wide product range from 400 mm to 1250 mm.

Rotor Features

- Fire resistant aluminum alloy casting blades and fan hub.
- Has the ability to work one way and two way. The blades are specially designed according to each direction type.
- There is no aerodynamic loss in the case of reversible wing type operation.
- Wings are airfoil and provide high aerodynamic performance in both unidirectional and bidirectional vanes.
- Wing angles are adjustable. In this way, smoke discharge fans can be demanded at different flow rates and pressures.
- The fan part of the fan is dynamically balanced according to ISO 1940 and there is no eccentricity during the operation of the fan.

Technical Drawing and Tables



TYPE	A	B	C	D	E	H	F
ARS-CTF-3 400	600	495	702	400	474	880	50
ARS-CTF-3 450	650	545	702	450	474	880	50
ARS-CTF-3 500	650	545	842	500	580	1030	50
ARS-CTF-3 560	685	605	842	560	580	1030	50
ARS-CTF-3 630	780	637	1130	630	600	1160	50
ARS-CTF-3 710	830	710	1130	800	700	1300	50
ARS-CTF-3 800	920	800	1130	800	700	1300	50
ARS-CTF-3 900	1020	900	1130	900	775	1375	50
ARS-CTF-3 1000	1130	1030	1430	1000	850	1450	50
ARS-CTF-3 1250	1430	1350	1430	1250	950	1550	50