

Fan Components and Material Properties

The case and fan are made of high quality galvanized sheet metal pressed against corrosion. All models have a closed external rotor motor and have air transport at 40'de C maximum. The motor can be manufactured with thermal protection against high temperatures on request. The suction and discharge nozzles are compatible with the duct diameters and can be connected with a clamp.

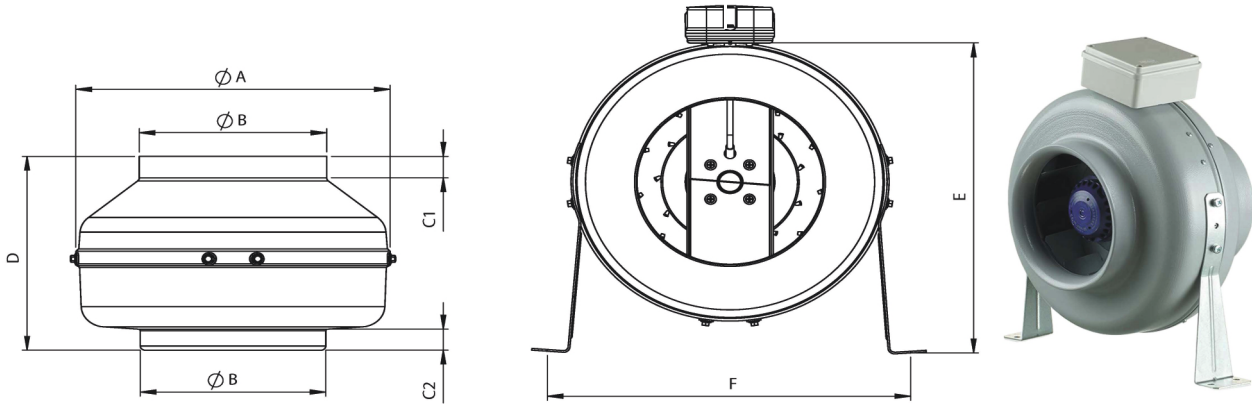
Fan Structure

Designed to work between round ducts. The fan blades are aerodynamically curved and provide regular flow. The fans are composed of backward sloping and infrequently arranged fins.

Benefits

The rotation of the fan on the motor housing saves efficiency and space. It works at optimum sound levels while providing strong air suction. It can be operated in any position. If necessary, it can be mounted on the wall thanks to the mounting legs. Speed can be adjusted with speed control devices.

TYPE	A	B	C1	C2	D	E	F
ARS-KTF 100	245	97	20	20	197	273	268
ARS-KTF 125	245	122	20	20	188	273	268
ARS-KTF 150	272	147	23	25	192	286	295
ARS-KTF 160	272	157	23	25	192	286	295
ARS-KTF 200	330	196	30	28	230	380	352
ARS-KTF 250	330	247	30	28	227	380	352
ARS-KTF 315	400	313	30	30	285	415	422
ARS-KTF 355	400	352	30	30	378	415	422



TYPE	VOLTAGE	FREQUENCY	POWER	CURRENT	CAPACITOR	SPEED	AIR FLOW	SOUND PRESSURE	INSULATION CLASS	PROTECTION CLASS	WEIGHT
	V	Hz	W	(A)	(µF)	D/dak	m³/h	dB(A)	İz. Kl.	IP	Kg
ARS-KTF 100	230	50/60	60	0,3	2	2610/2960	240/275	44	B	44	2,6
ARS-KTF 125	230	50/60	80	0,4	2,5	2325	315	43	B	44	2,7
ARS-KTF 150	230	50/60	78	0,4	2,5	2450	420	46	B	44	3
ARS-KTF 160	230	50/60	85	0,4	2,5	2550	440	45	B	44	3,2
ARS-KTF 200-A	230	50/60	90	0,43	2,5	2300	735	46	B	44	4,4
ARS-KTF 200-B	230	50/60	100/130	0,51/0,68	4	2530/2720	870/935	48	B	44	4,8
ARS-KTF 250-A	230	50/60	140	0,69	4	2400	1010	45	B	44	4,9
ARS-KTF 250-B	230	50/60	145/200	0,74/1,04	6	2650	1150	47	B	44	5,3
ARS-KTF 315-A	230	50/60	160/210	0,8/1,1	6	2400	1450	48	B	44	6,8
ARS-KTF 315-B	230	50/60	180/245	0,87/1,23	7	2500/2700	1750/1890	49	B	44	6,9
ARS-KTF 355-A	230	50/60	160/175	1,0/0,85	4	1450/1700	1300/1525	45	F	44	9
ARS-KTF 355-B	230	50	445	1,94	8	2450	2620	54	F	44	10

Sound Level Measured from 3m distance in room condition.