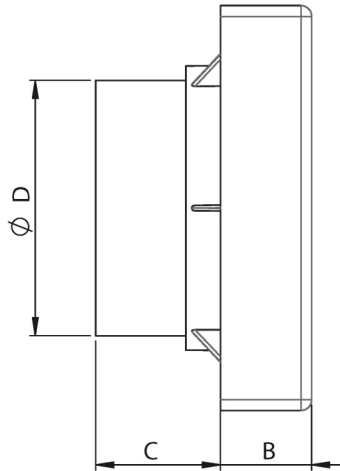
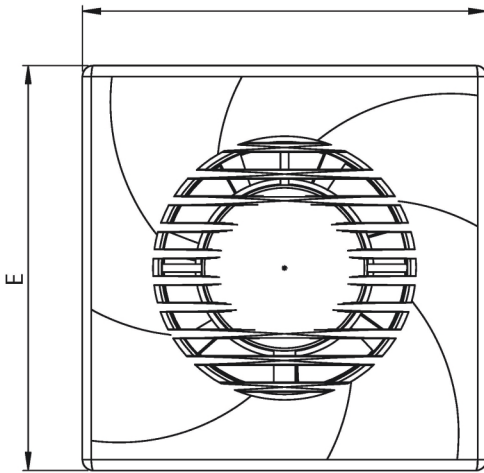


It is safe with front louvre design. The panel is wider and tighter. This feature provides a robust mounting design. It is silent and corrosion resistant. Long life of the motor against environmental factors. Thermal protection. Can be mounted on glass and wall. It is used for small volume spaces, bath and toilet ventilation.

Technical Drawing and Tables

TYPE	A	B	C	D	E
EA 1010	149	32	59	97	149
EA 1219	170	32	59	118	170
EA 1530	200	38	59	145	200



TYPE	VOLTAGE	FREQUENCY	POWER	CURRENT	CAPACITOR	SPEED	AIR FLOW	SOUND PRESSURE	INSULATION CLASS	PROTECTION CLASS	WEIGHT	PIECES IN BOX
	V	Hz	W	(A)	(μ F)	D/dak	m ³ /h	dB(A)	iz. Kl.	IP	Kg	
EA 1010	230	50/60	13	0,09	-	2600	100	40	B	20	0,52	24
EA 1219	230	50/60	14	0,09	-	2400	200	41	B	20	0,6	20
EA 1530	230	50/60	21	0,13	-	2000	300	43	B	20	1,12	16

Sound Level Measured from 3m distance in room condition.