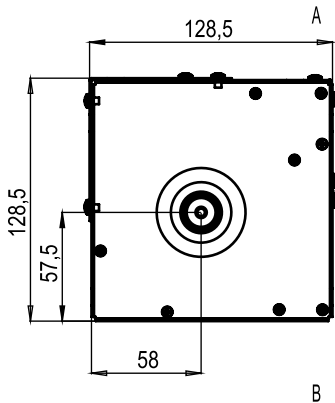
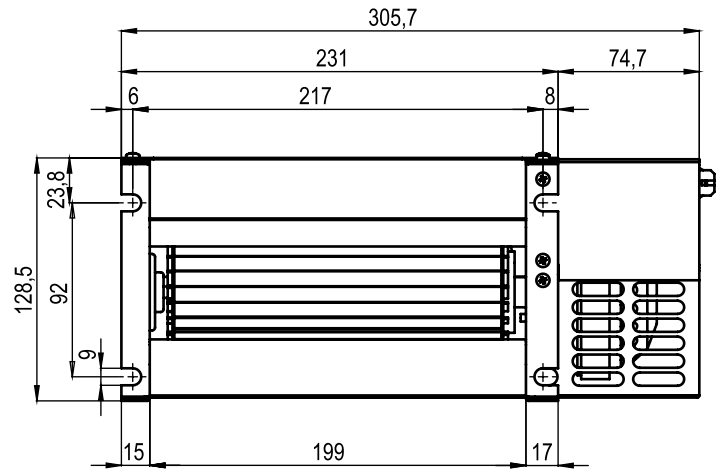
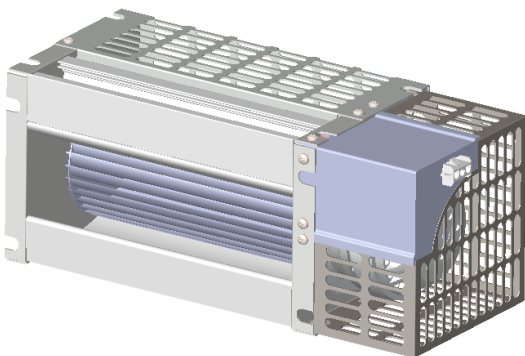
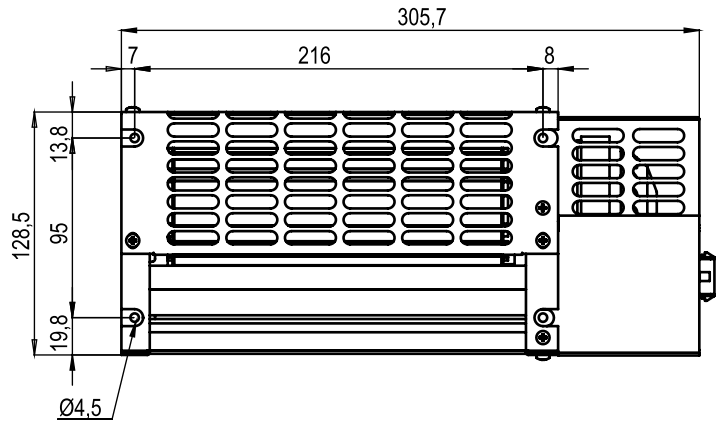


DETAIL A  
SCALE 1 : 2



B



Voltage(V)	230
Frequency (Hz)	50
Power (W)	60
Current (mA)	0,26
Speed(rpm)	2450
Airflow(m <sup>3</sup> /h)	515
Capacitor (uF)	1,5

INULATION CLASS (H)