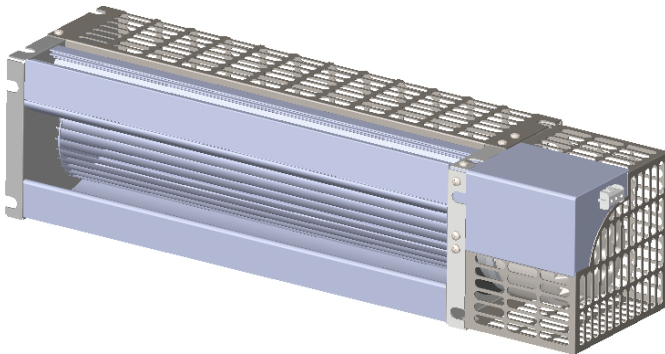
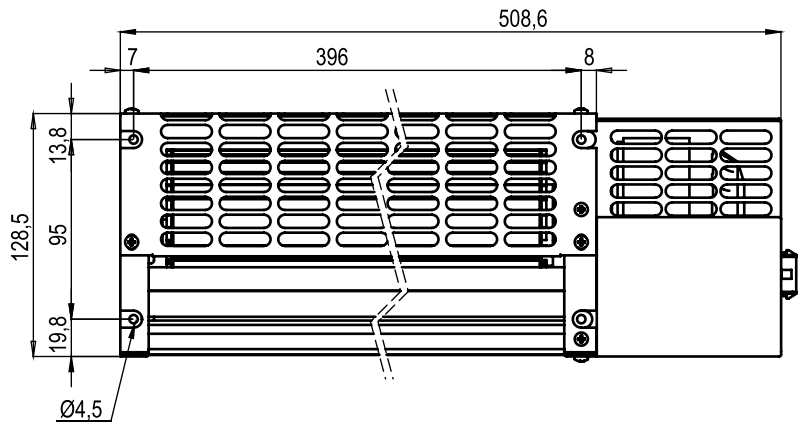
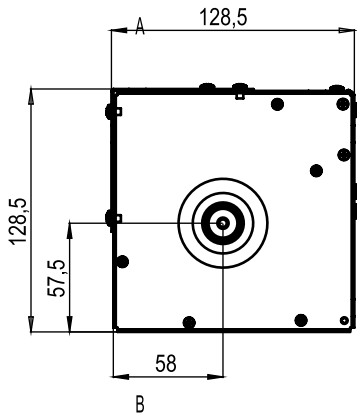


DETAIL A  
SCALE 1 : 2



Voltage(V)	230
Frequency (Hz)	50
Power (W)	105
Current (mA)	0,45
Speed(rpm)	2620
Airflow(m <sup>3</sup> /h)	865
Capacitor (uF)	3

INULATION CLASS (H)